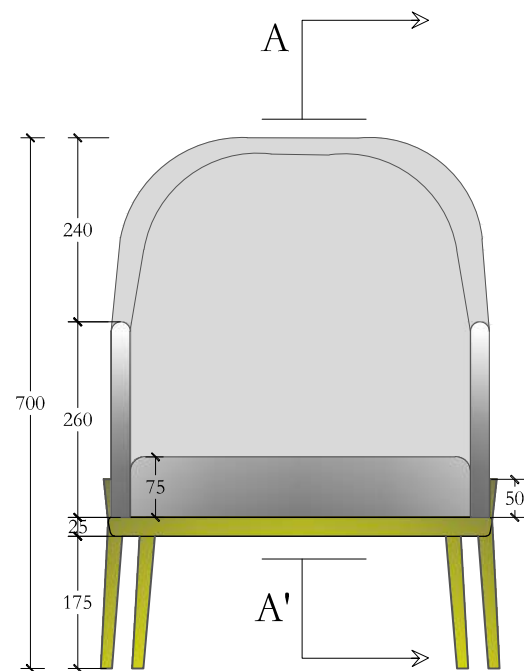


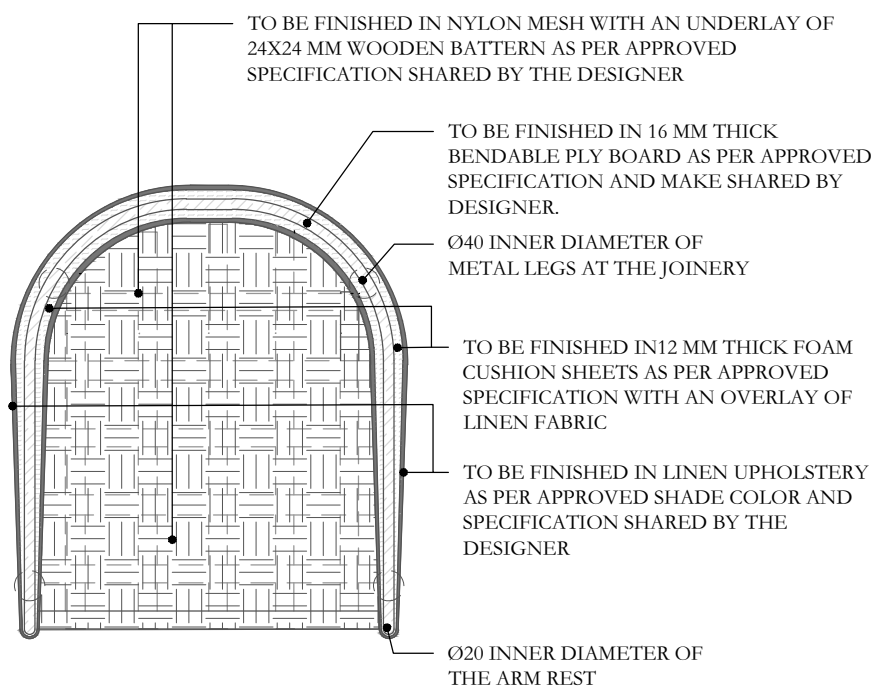
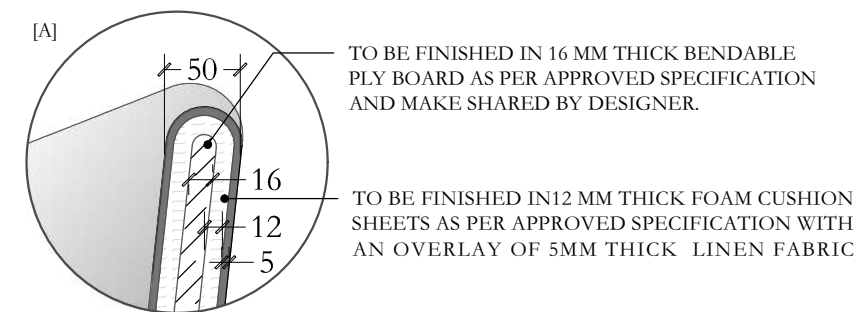
CHAIR PLAN VIEW



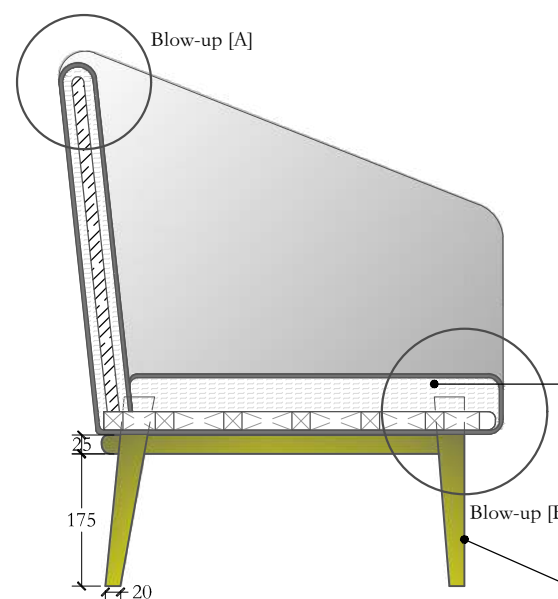
FRONT ELEVATION



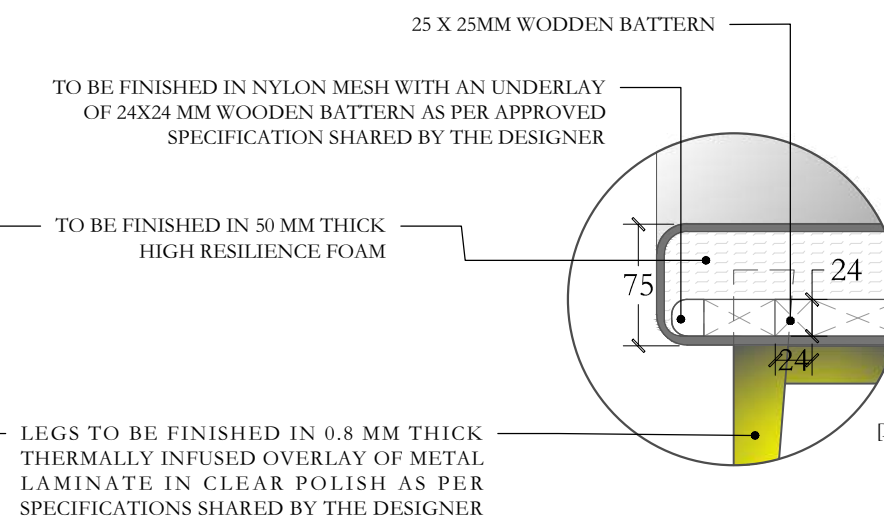
REFERENCE IMAGE



CONSOLIDATED PLAN



SECTION AA'



BLOW UPS

NOTE

Sheet Title

CHAIR DETAIL

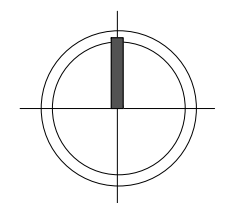
Sheet No.

A01

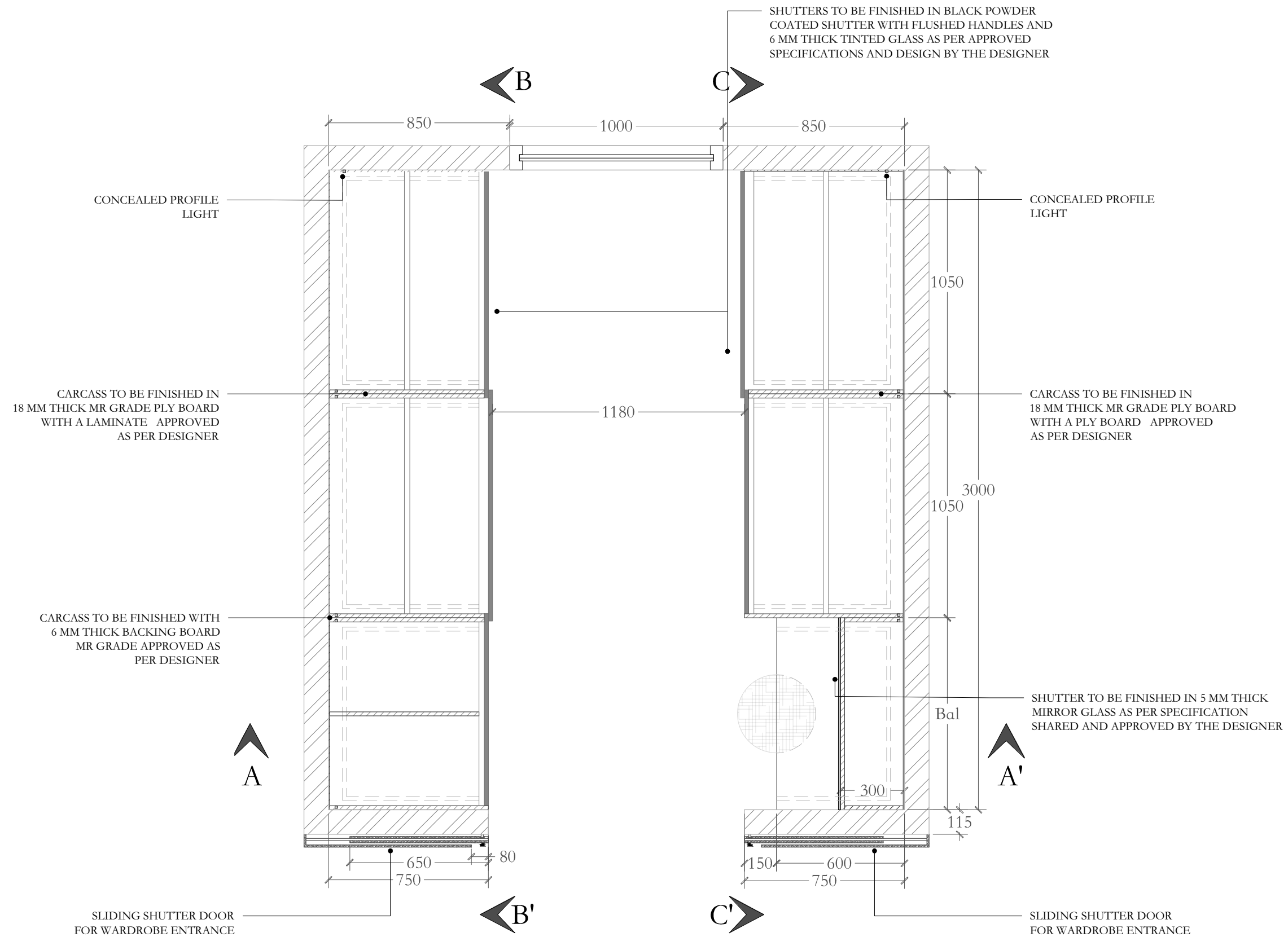
Scale

1:10

Date



Name: Nidhi Yadav
Batch: 04 PGID
College: Academy of Applied Arts



 **WARDROBE PLAN VIEW**

NOTE

Sheet Title

LAYOUT
Wardrobe

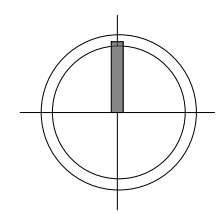
Sheet No.

A01

Scale

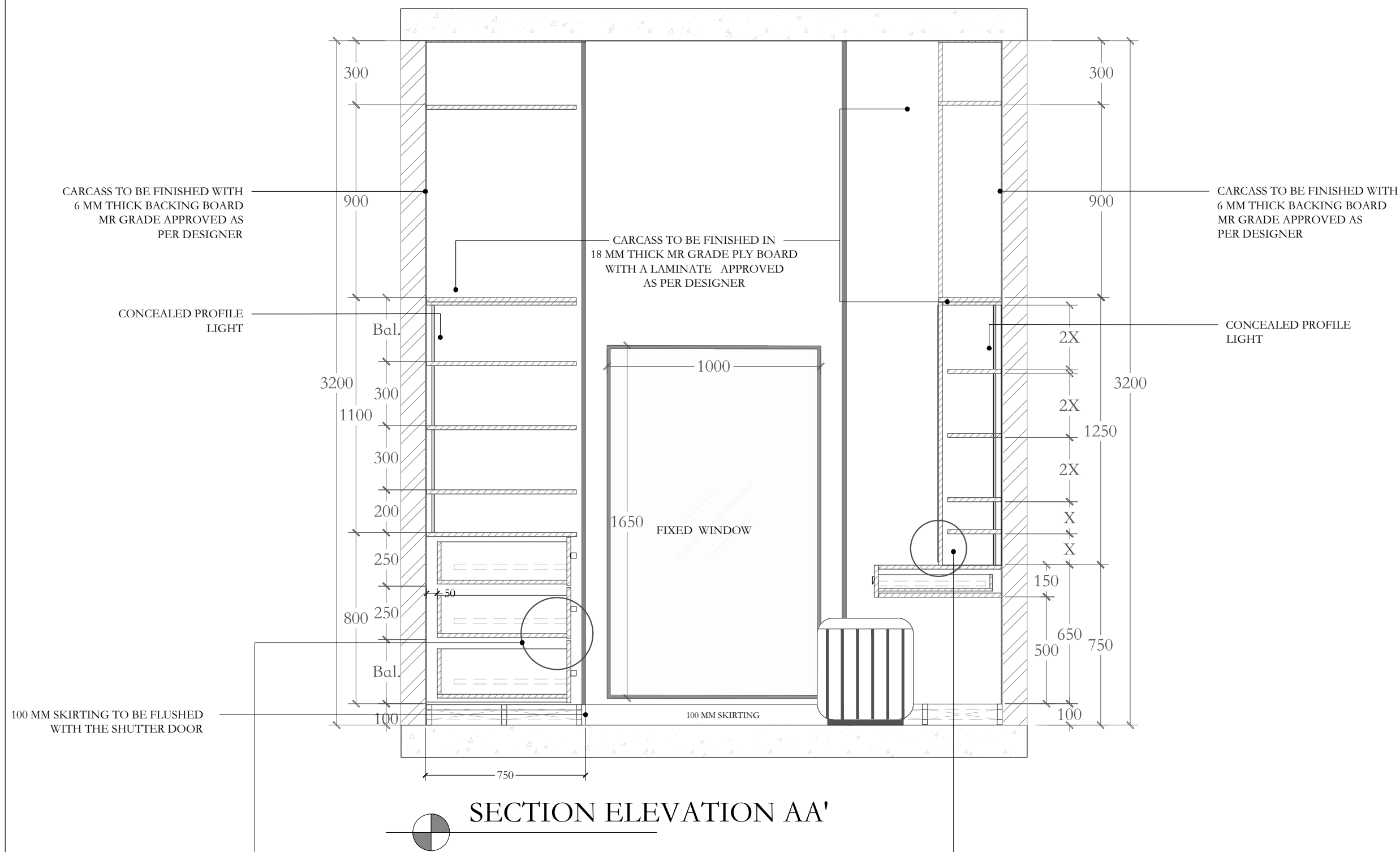
1:20

Date



Name: Nidhi Yadav
Batch: 04 PGID
College: Academy of Applied Arts

NOTE



CARCASS TO BE FINISHED WITH 6 MM THICK BACKING BOARD MR GRADE APPROVED AS PER DESIGNER

CARCASS TO BE FINISHED IN 18 MM THICK MR GRADE PLY BOARD WITH A LAMINATE APPROVED AS PER DESIGNER

CARCASS TO BE FINISHED WITH 6 MM THICK BACKING BOARD MR GRADE APPROVED AS PER DESIGNER

CONCEALED PROFILE LIGHT

CONCEALED PROFILE LIGHT

100 MM SKIRTING TO BE FLUSHED WITH THE SHUTTER DOOR

FIXED WINDOW

WARDROBES TO BE FITTED WITH 25MM BLACK POWDER COATED HANDLES

WARDROBES TO BE FITTED WITH SOFT CLOSE CHANNELS

SHUTTERS TO BE FINISHED IN BLACK POWDER COATED SHUTTER WITH FLUSHED HANDLES AND 6 MM THICK TINTED GLASS AS PER APPROVED SPECIFICATIONS AND DESIGN BY THE DESIGNER

SHUTTER TO BE FINISHED IN 5 MM THICK MIRROR GLASS AS PER SPECIFICATION SHARED AND APPROVED BY THE DESIGNER

Sheet Title

SECTION CC" Wardrobe

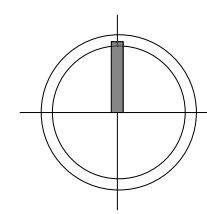
Sheet No.

B01

Scale

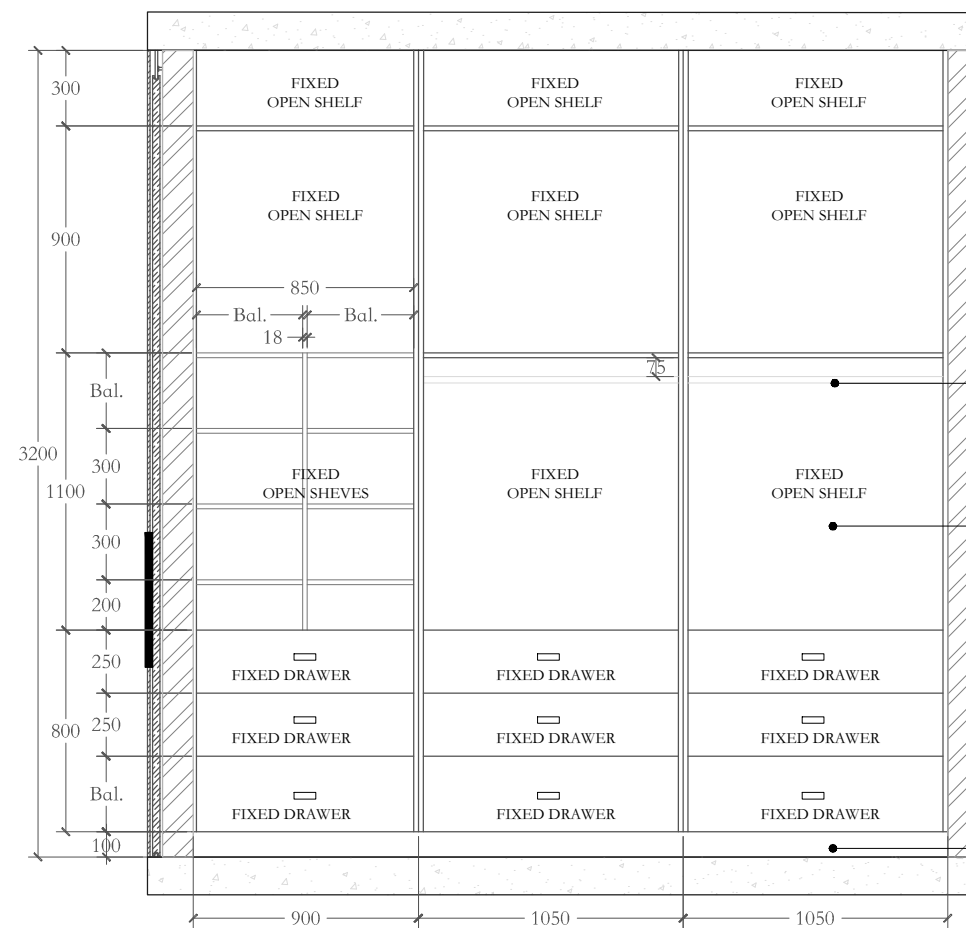
1:20

Date



Name: Nidhi Yadav
 Batch: 04 PGID
 College: Academy of Applied Arts

NOTE



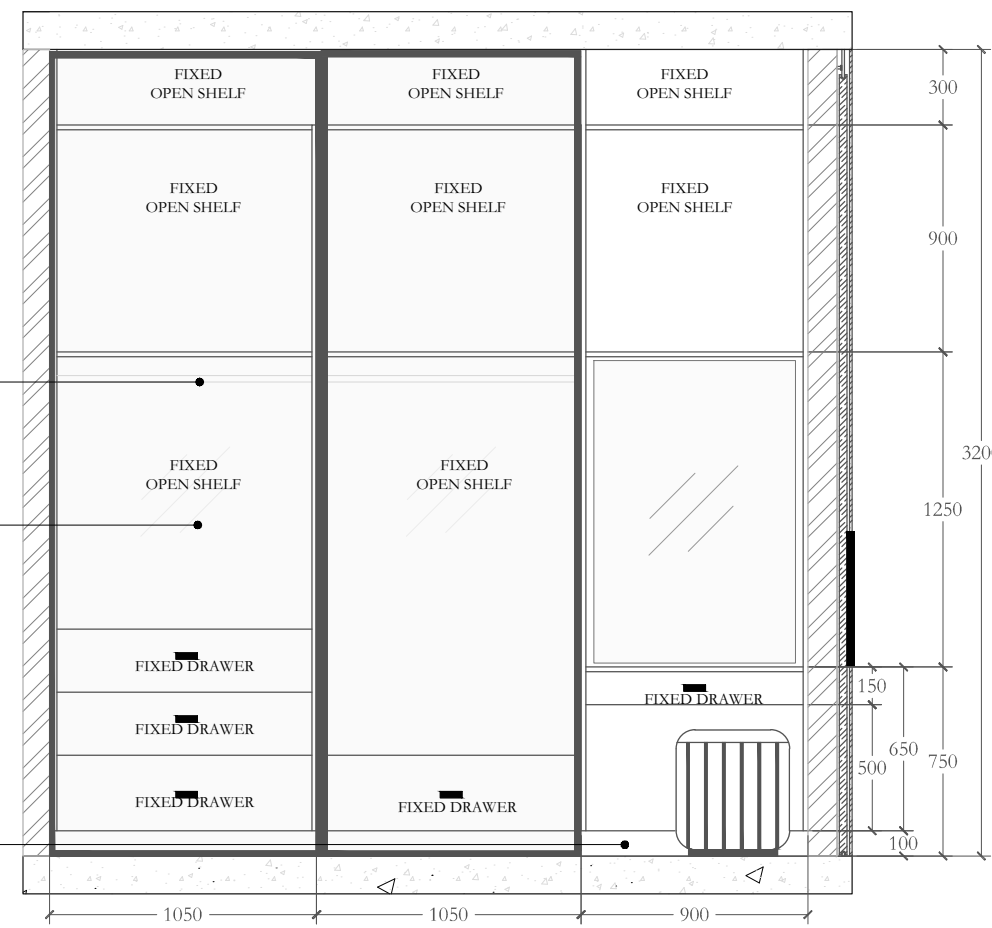
SECTION ELEVATION BB'



HANGING RODS

SLIDING SHUTTERS TO BE FINISHED IN BLACK POWDER COATED SHUTTER WITH FLUSHED HANDLES AND 6 MM THICK TINTED GLASS AS PER APPROVED SPECIFICATIONS AND DESIGN BY THE DESIGNER

100 MM SKIRTING TO BE FLUSHED WITH THE SHUTTER DOOR



SECTION ELEVATION CC'



Sheet Title

SECTION BB' CC'

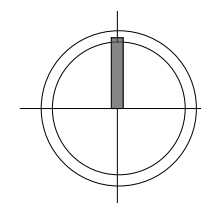
Sheet No.

B02

Scale

1:30

Date



Name: Nidhi Yadav
Batch: 04 PGID
College: Academy of Applied Arts