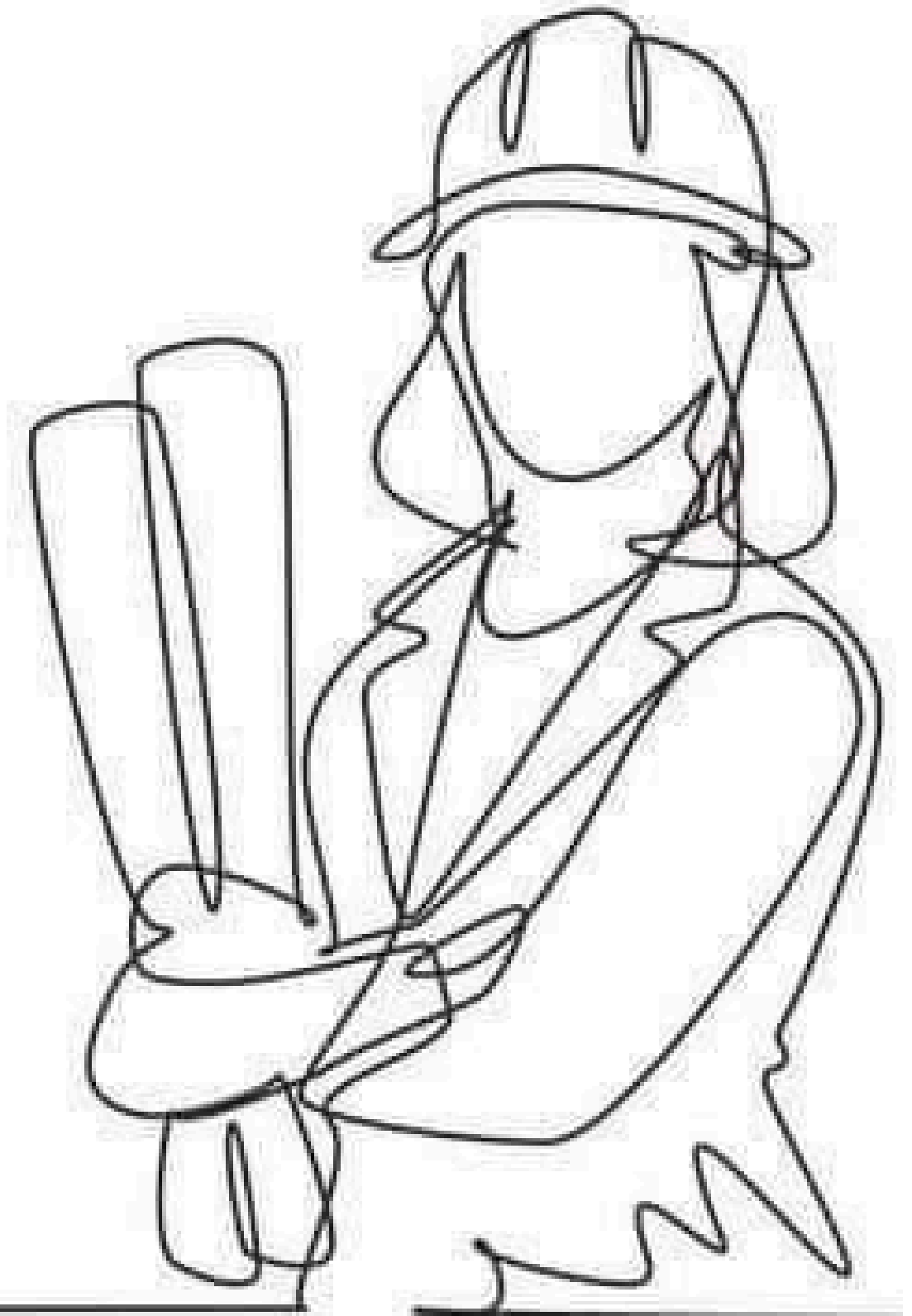
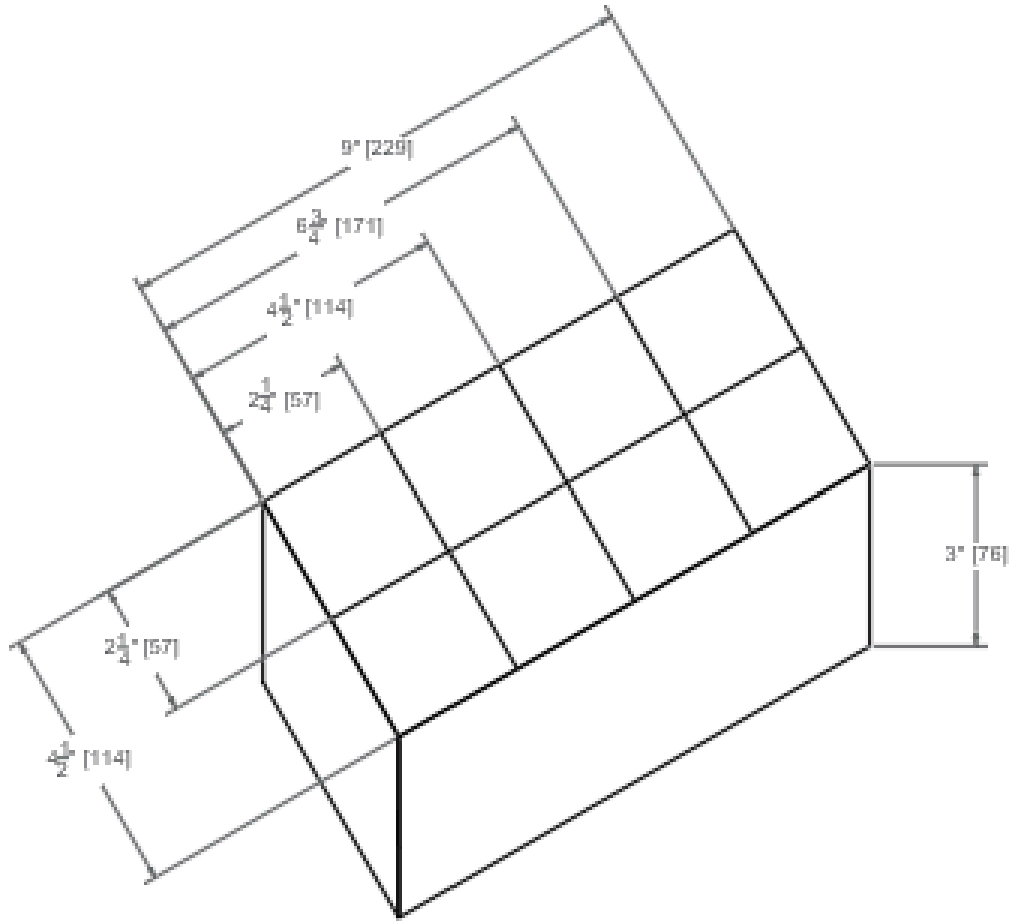


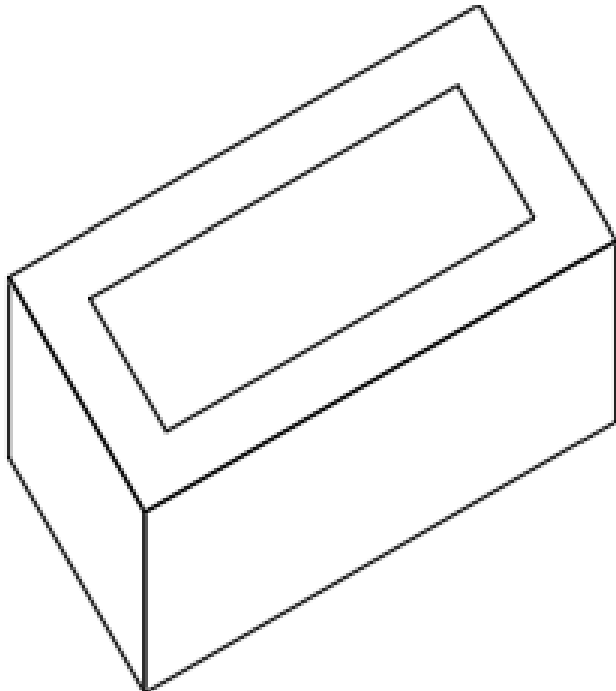
**CONSTRUCTION &
FURNITURE DRAWINGS**



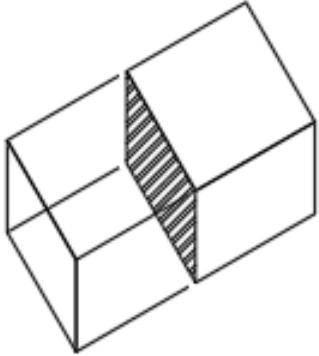
TYPES OF BRICK CUTTING



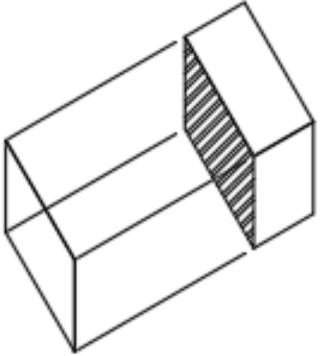
DIMENSION OF BRICK



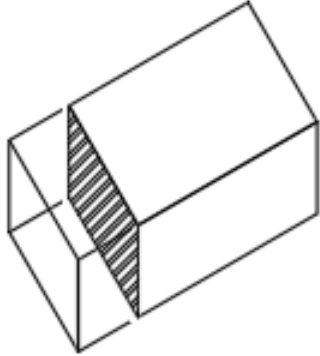
SNAPPED
HEADER



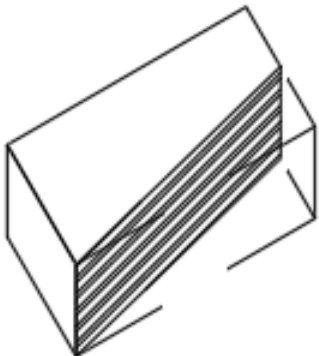
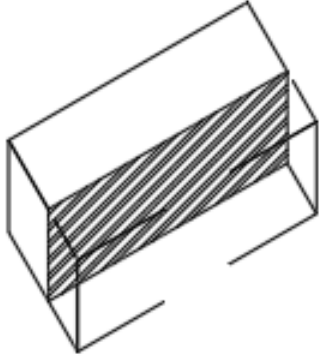
QUARTER
BAT



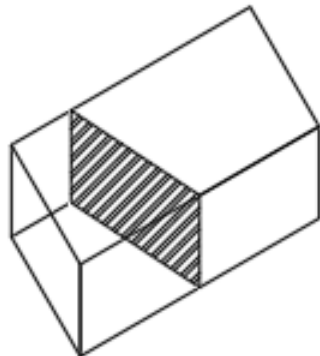
THREE QUARTER
BAT



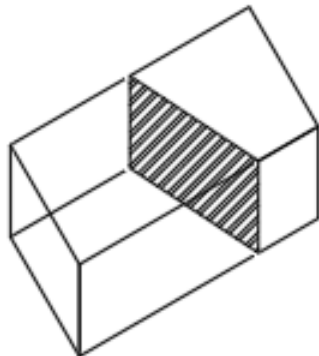
QUEEN
CLOSURE



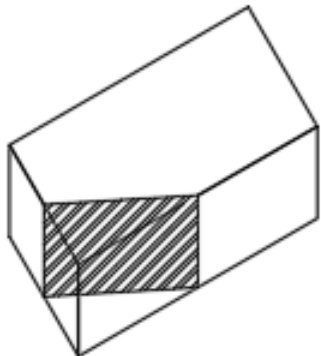
BEVELLED
CLOSURE



BEVELLED BAT
(LARGE)



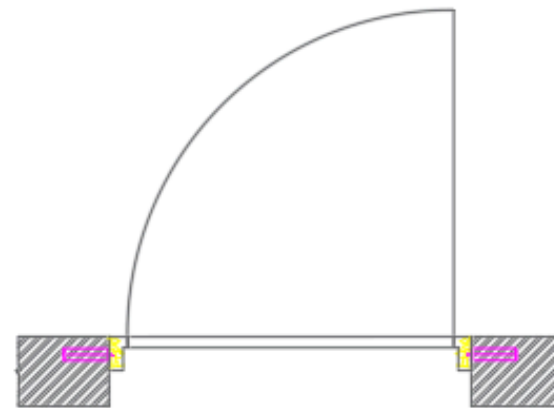
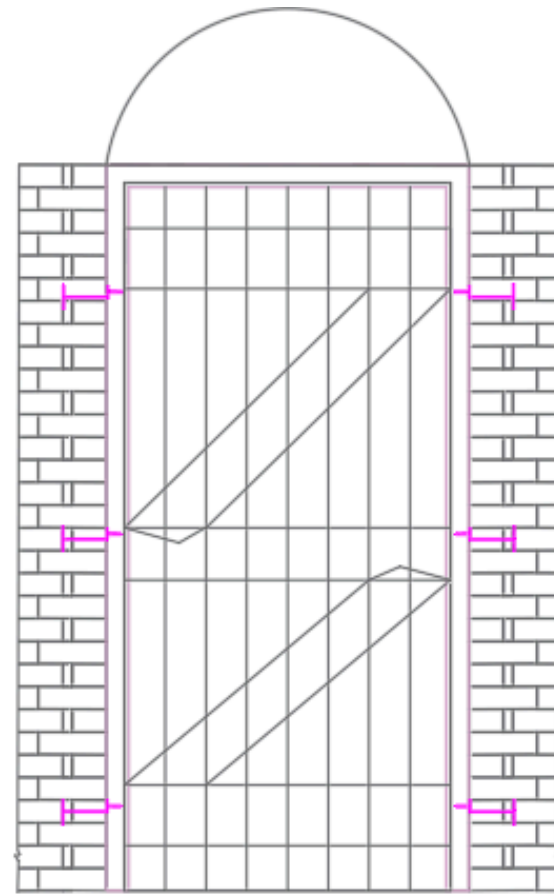
BEVELLED BAT
(SMALL)



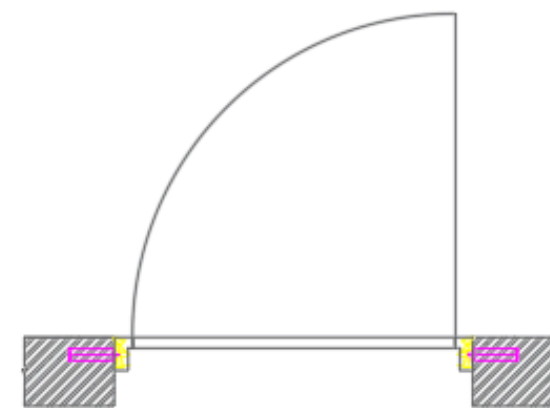
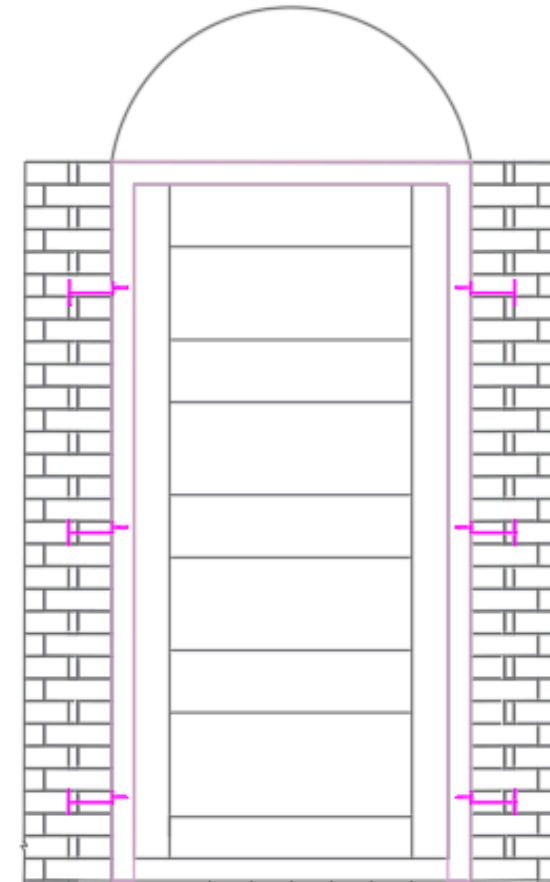
KING
CLOSURE

TYPES OF DOORS

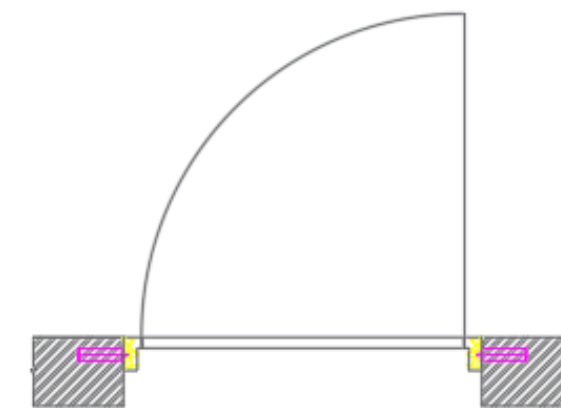
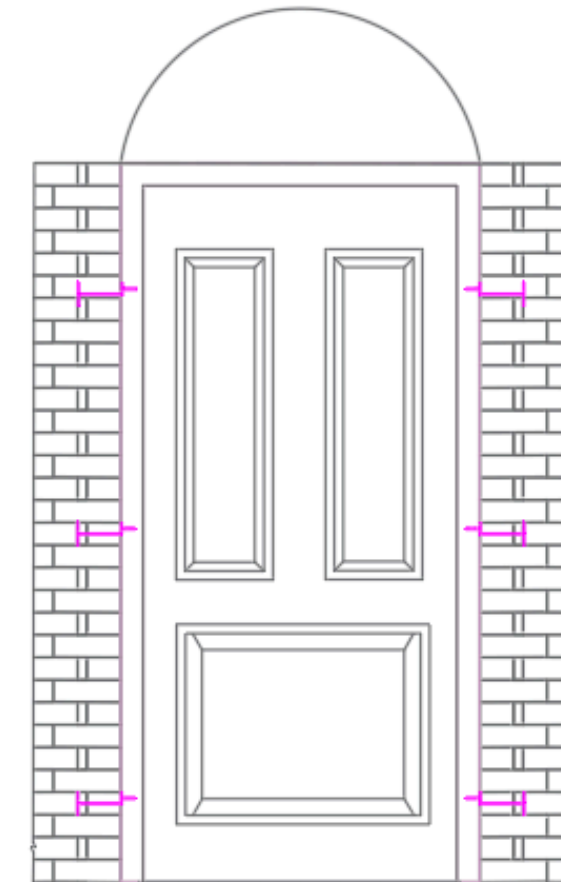
(ELEVATION AND PLAN VIEW)



BRACED DOOR



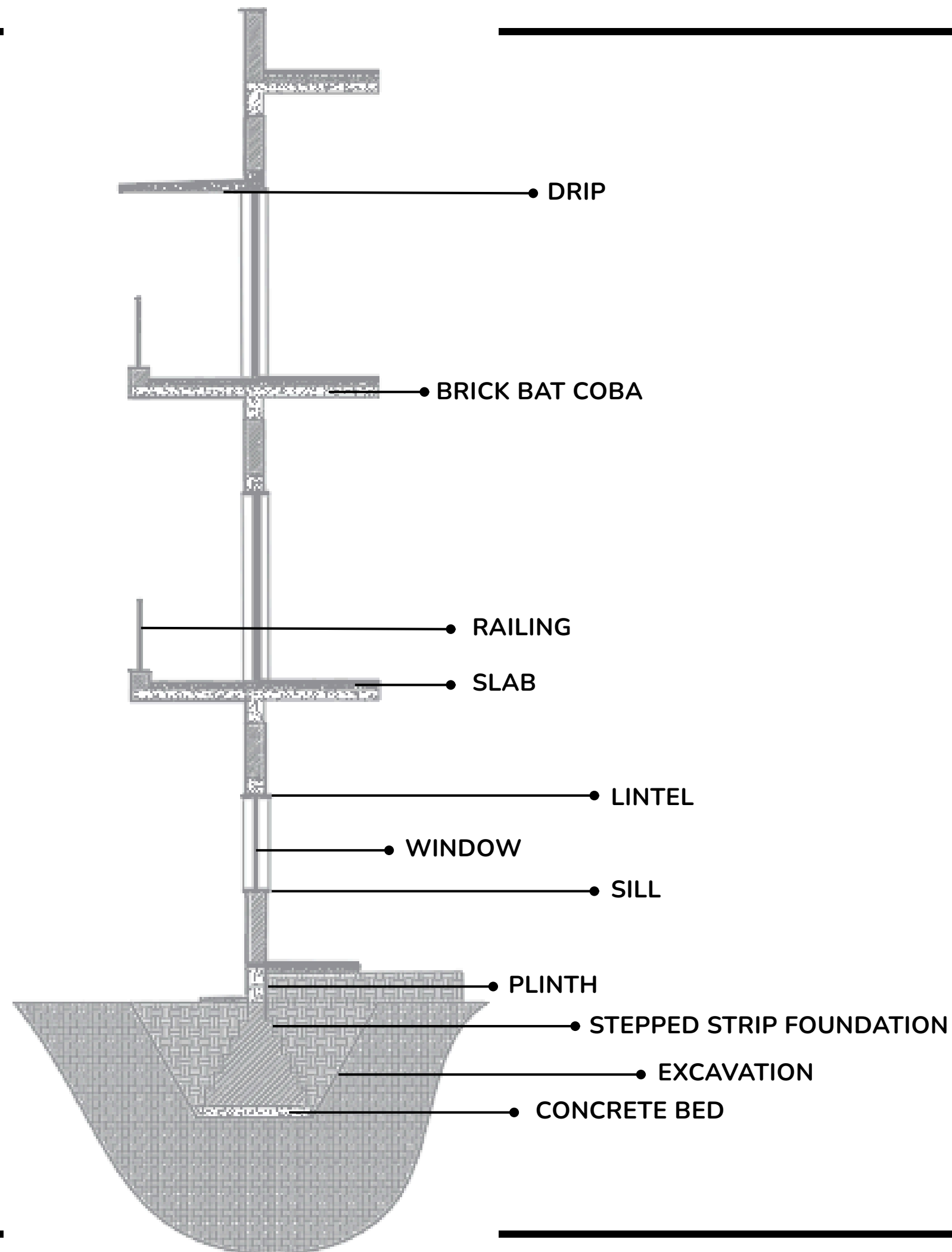
LADDER-STYLE PANEL DOOR



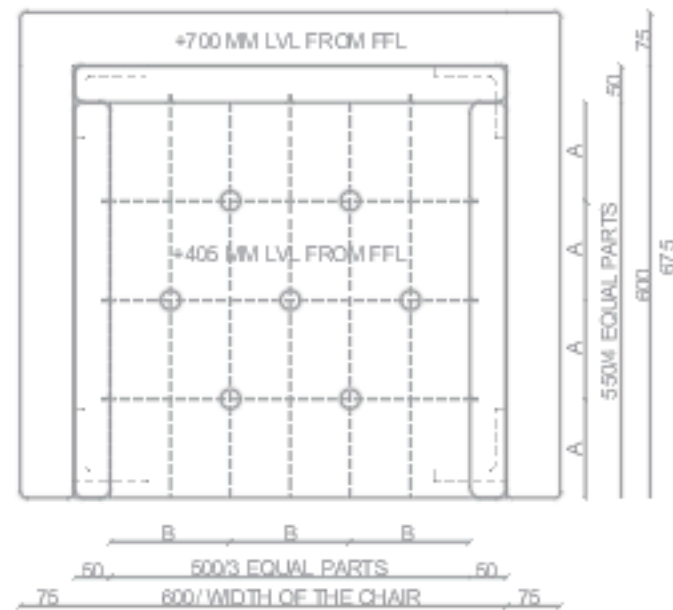
PANEL DOOR

BUILDING FOUNDATION SYSTEM

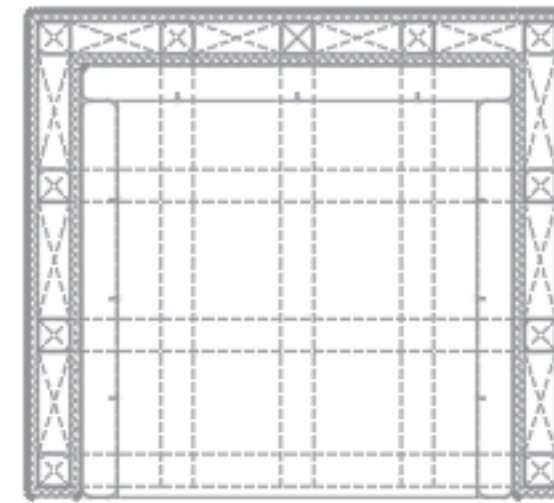
The foundation is the lowest part of a building structure that transfers the load of the superstructure safely to the ground. It provides stability, prevents settlement, and distributes the structural load evenly to the soil.



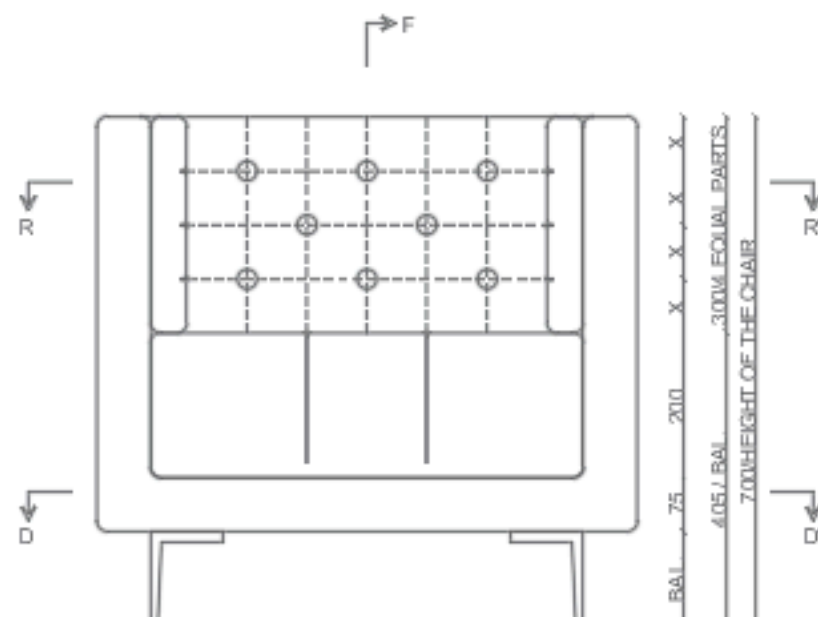
CHAIR DETAILS



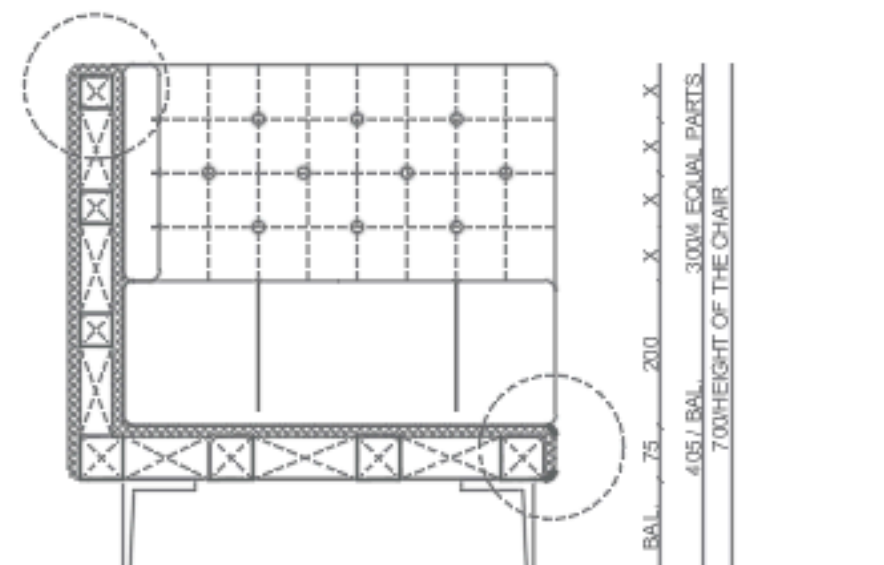
LAYOUT PLAN



SECTIONAL LAYOUT PLAN R-R'



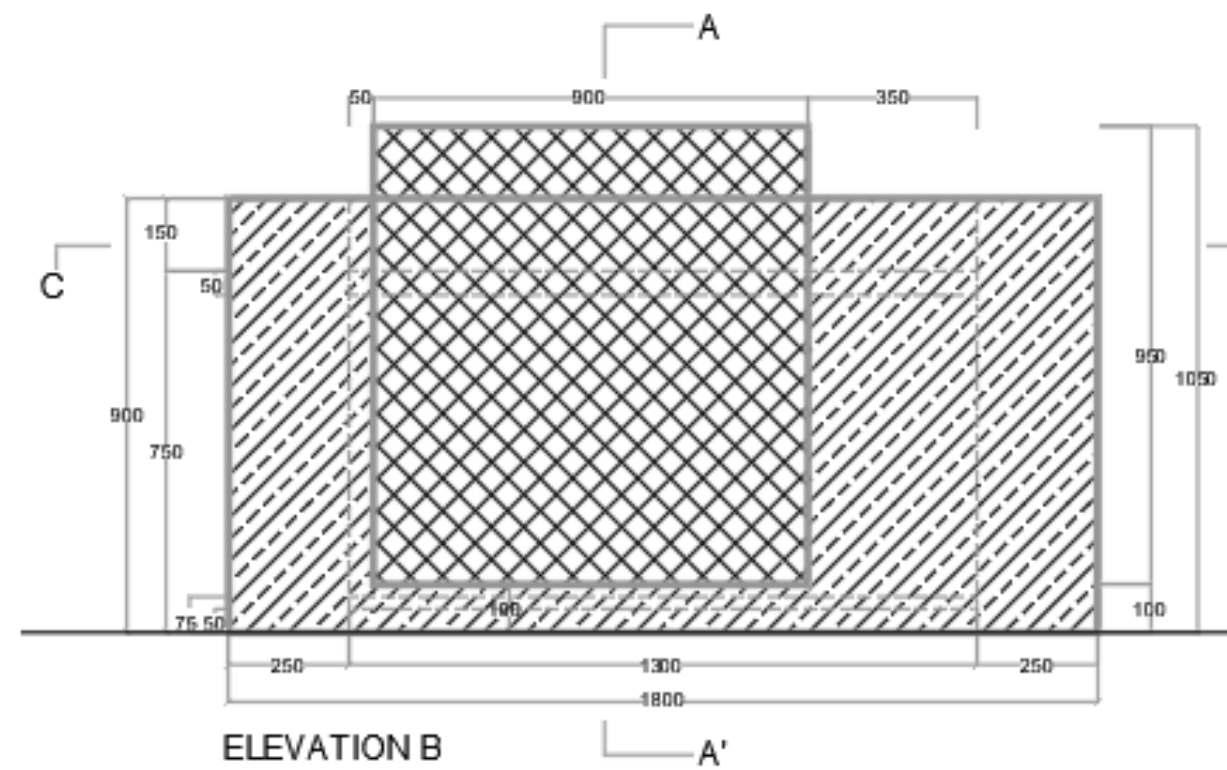
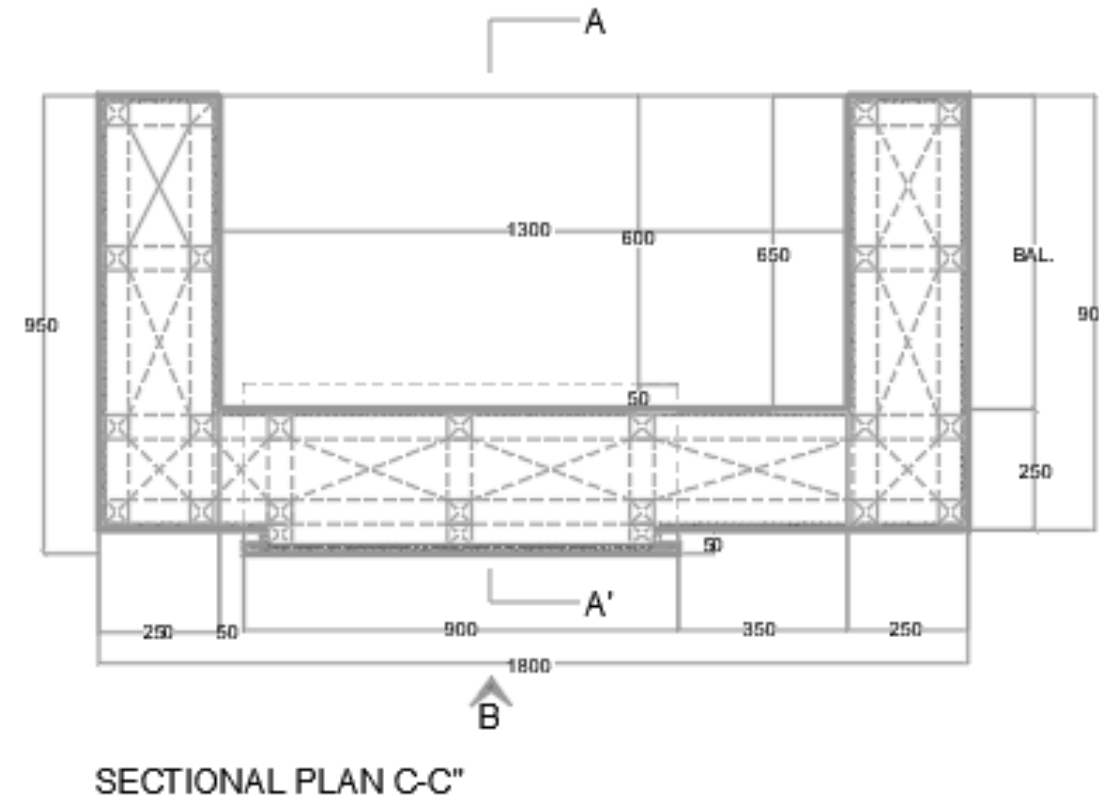
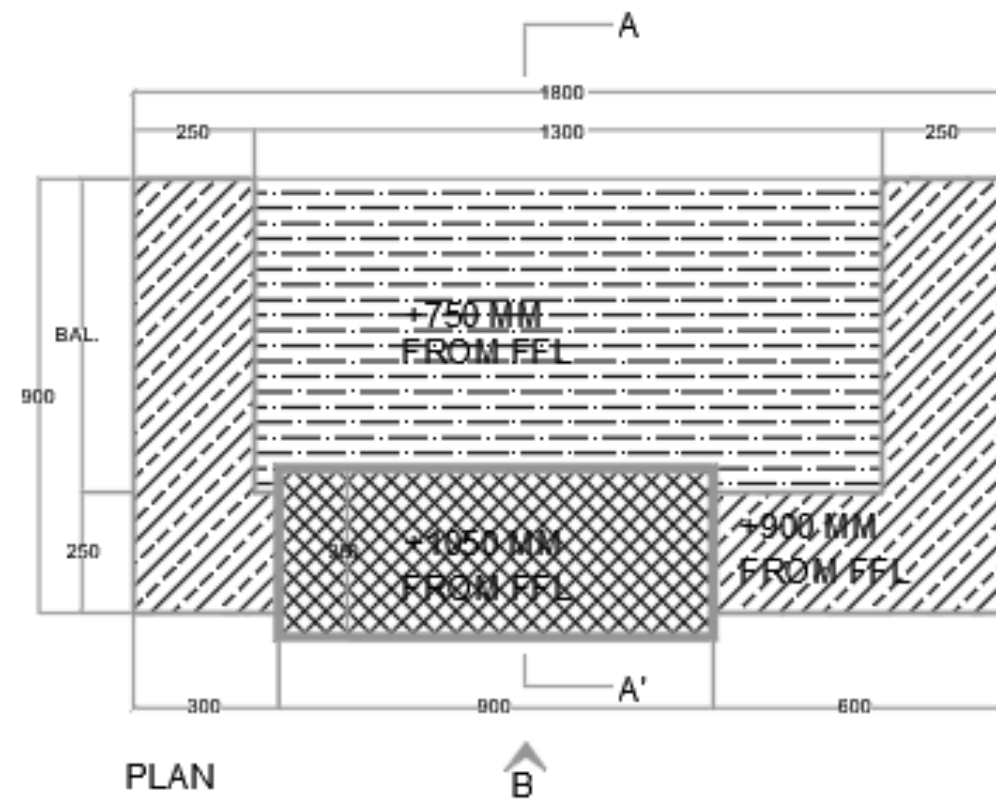
FRONT ELEVATION

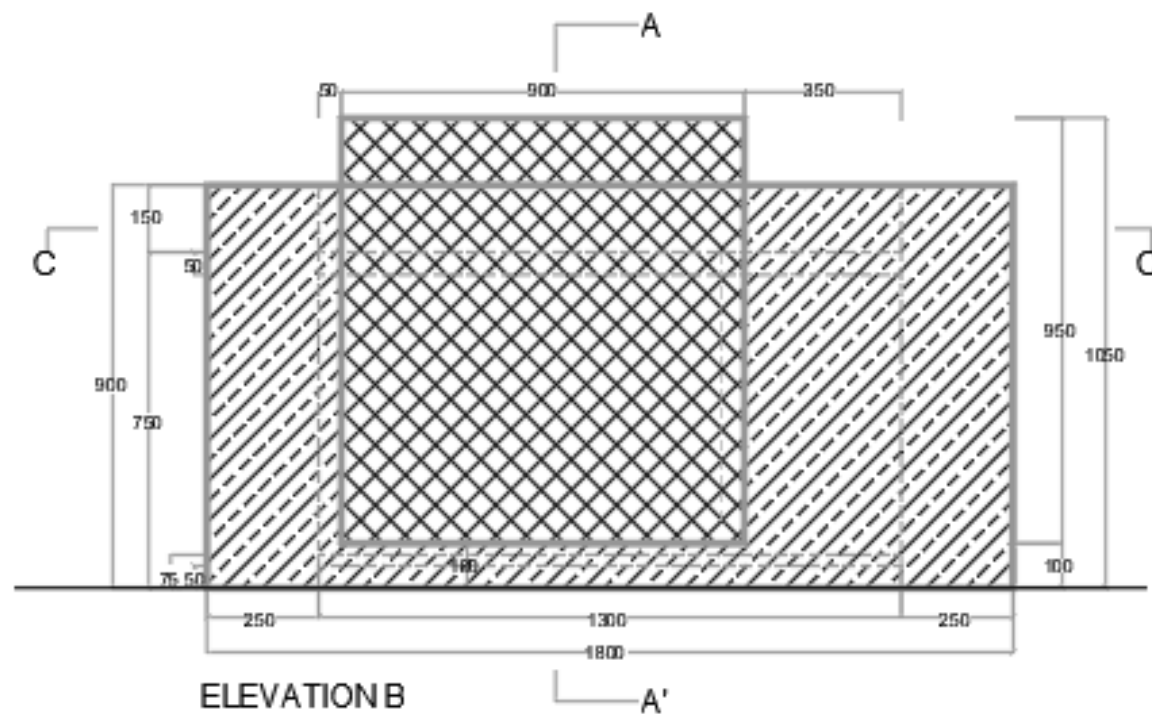
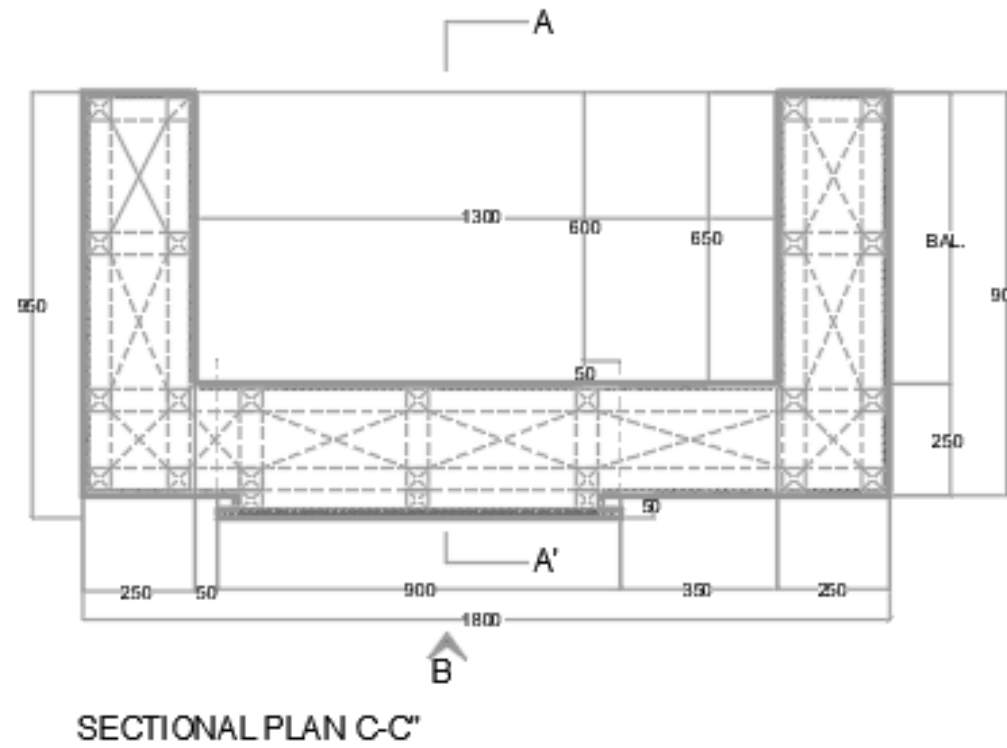
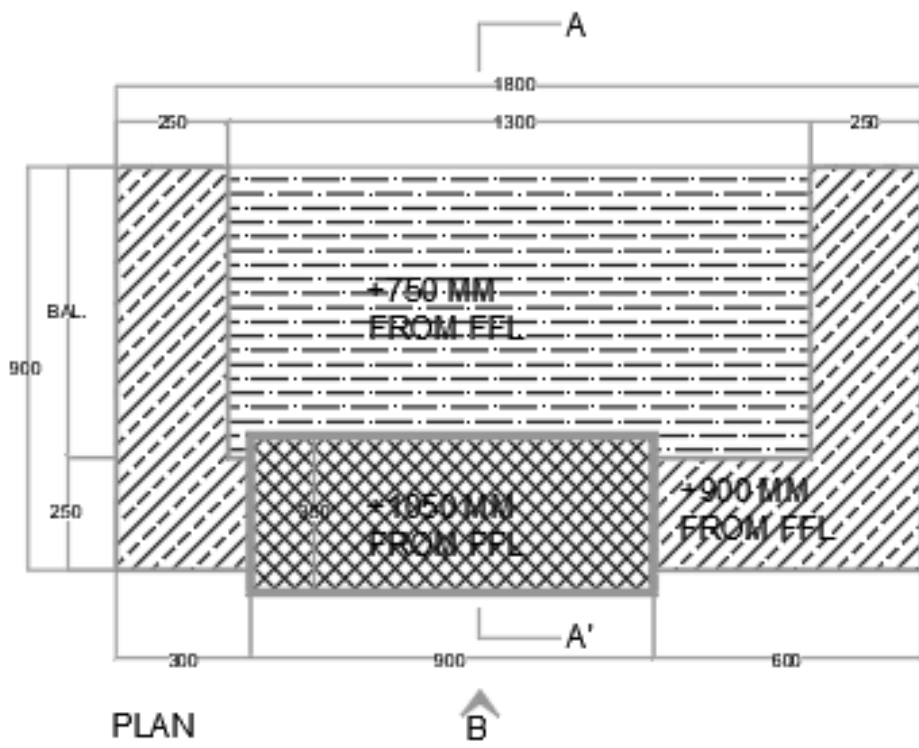


SECTIONAL ELEVATION F-F'



TABLE DETAILS

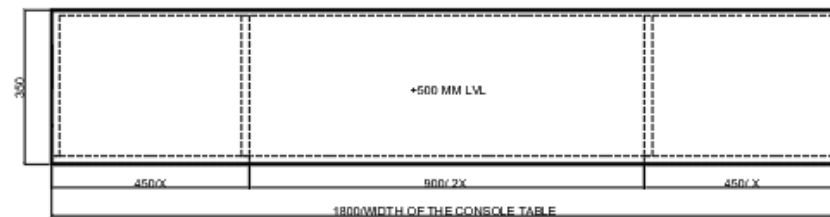
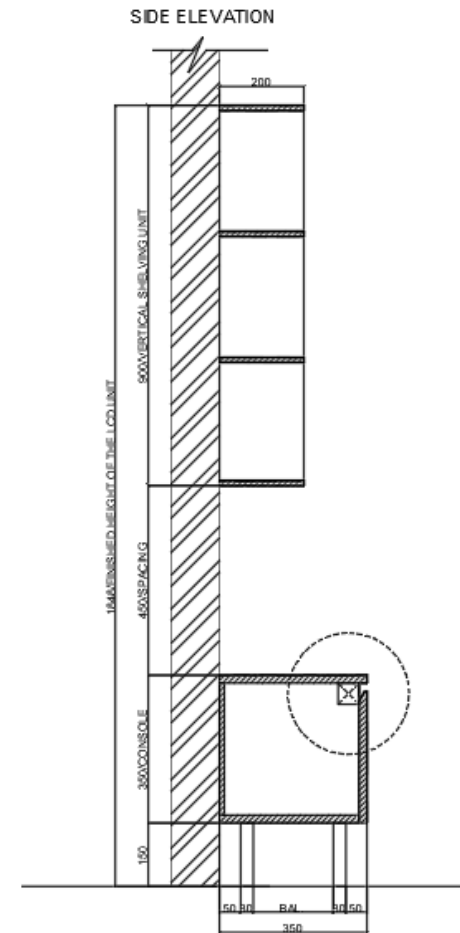
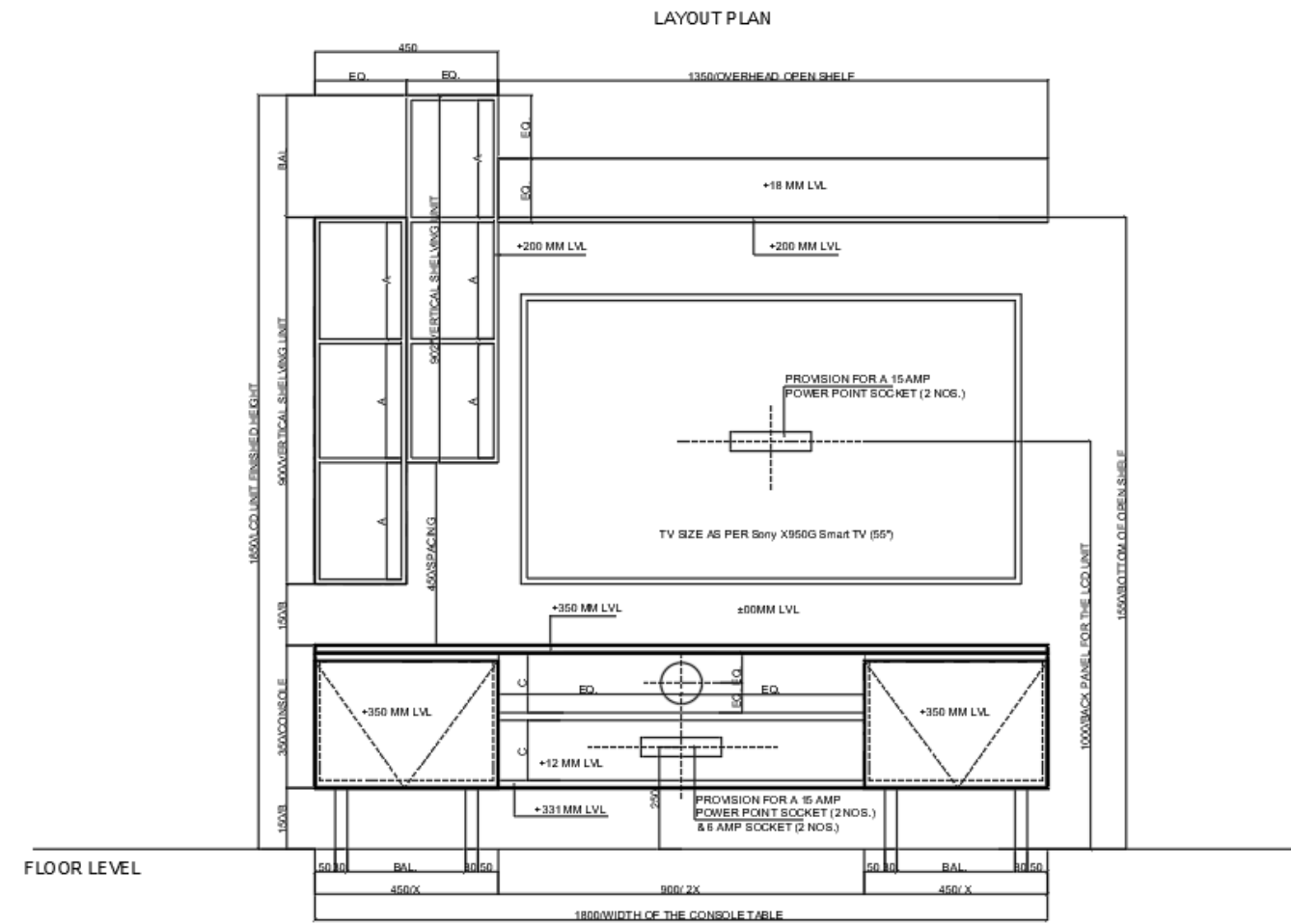




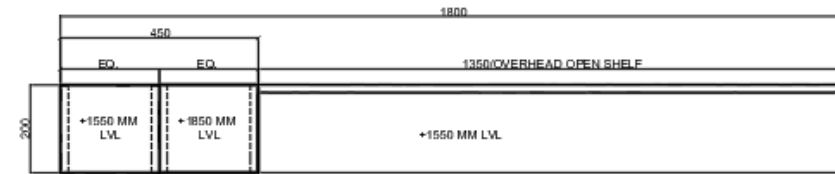
RECEPTION TABLE DETAILS



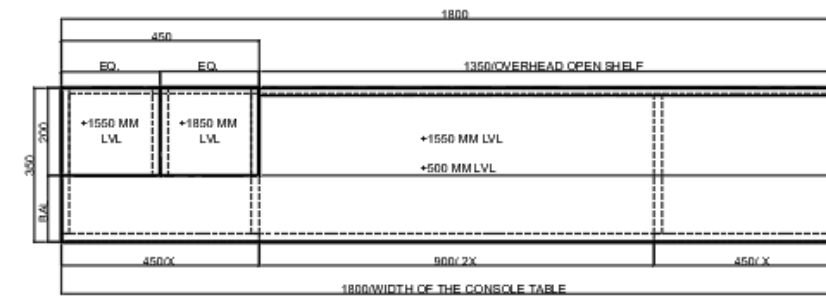
TV UNIT DETAILS



LAYOUT PLAN - UNDERCOUNTER UNIT



LAYOUT PLAN - OVERHEAD UNIT



LAYOUT PLAN - COMBINED LCD UNIT