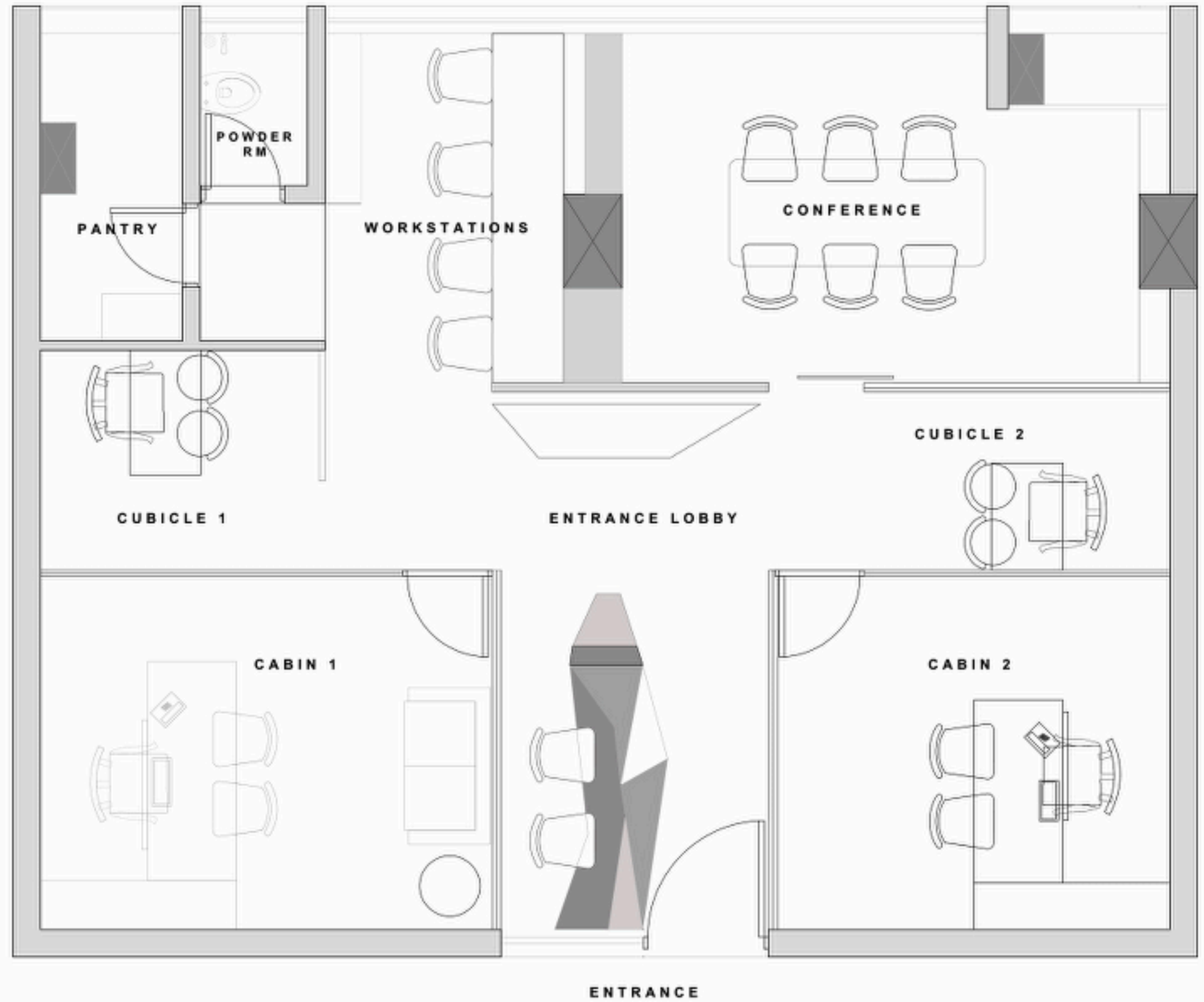


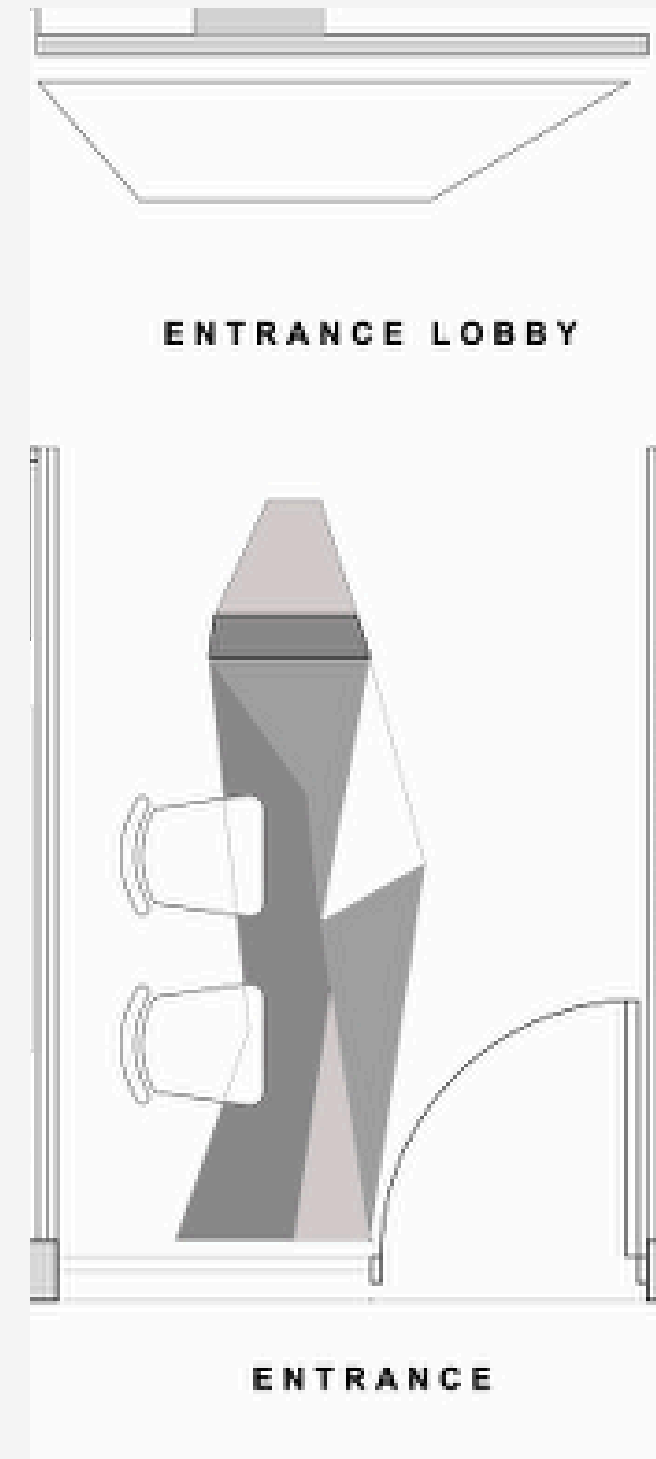
**OFFICE
PROJECT
(BOHO STYLE)**

LAYOUT PLAN

Office Space



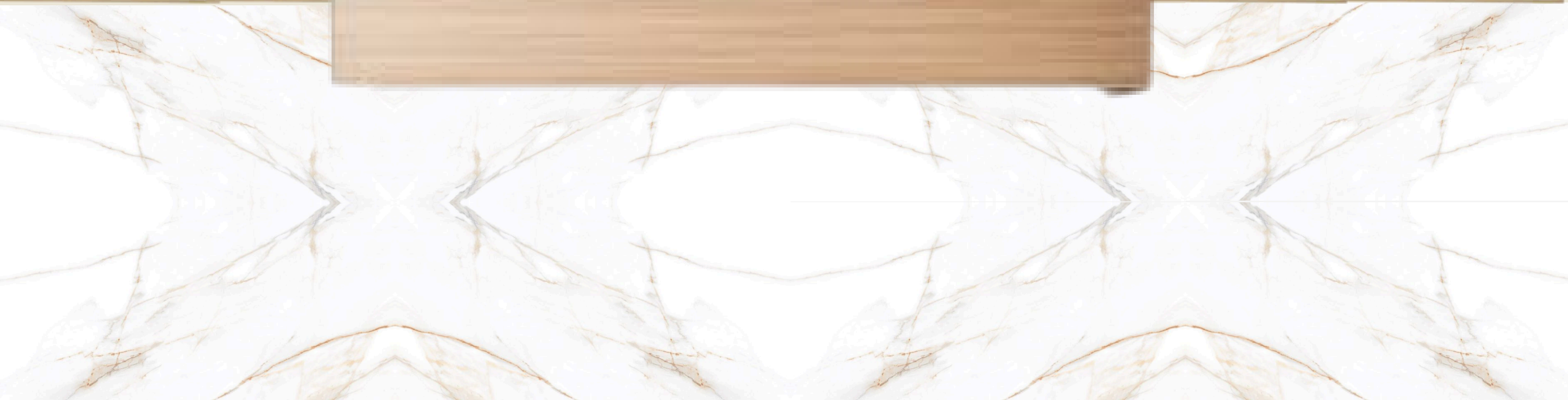
ENTRANCE LOBBY



DESIGN

BOARD

LUXURY HOMES





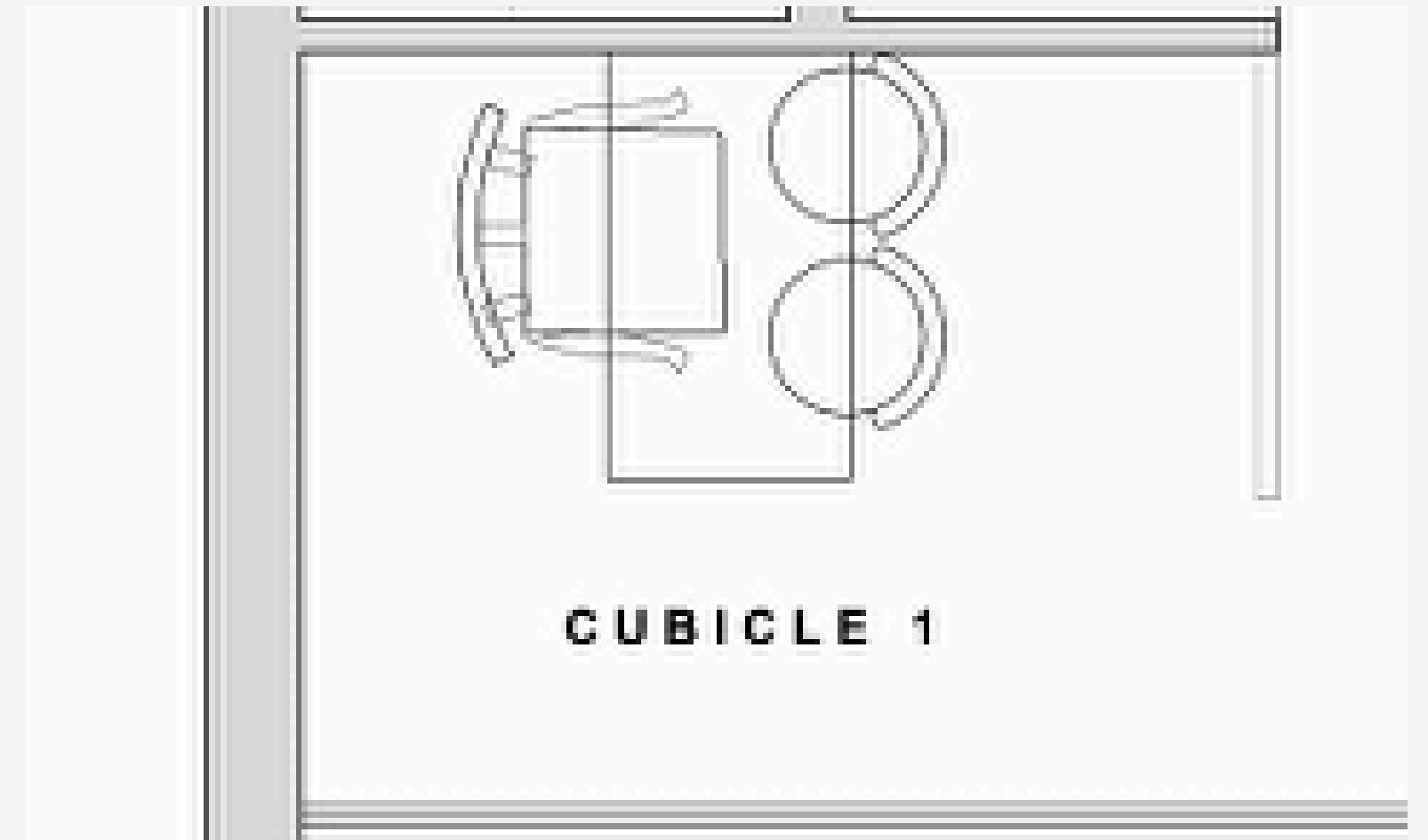
3 D R E N D E R

LUXURY HOMES





CUBICLE 1



DESIGN

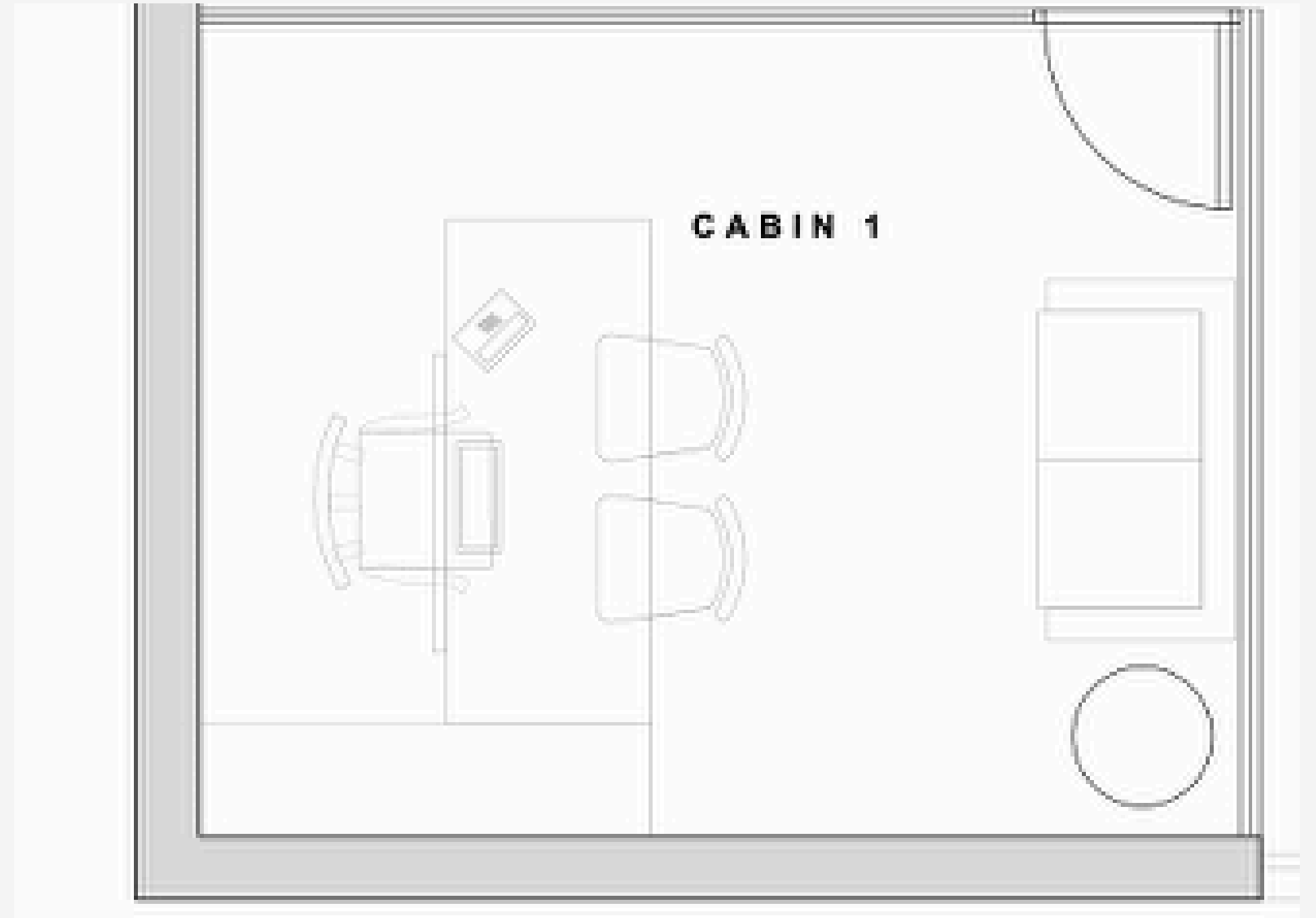
BOARD



3 D R E N D E R



CABIN 1



DESIGN

BOARD



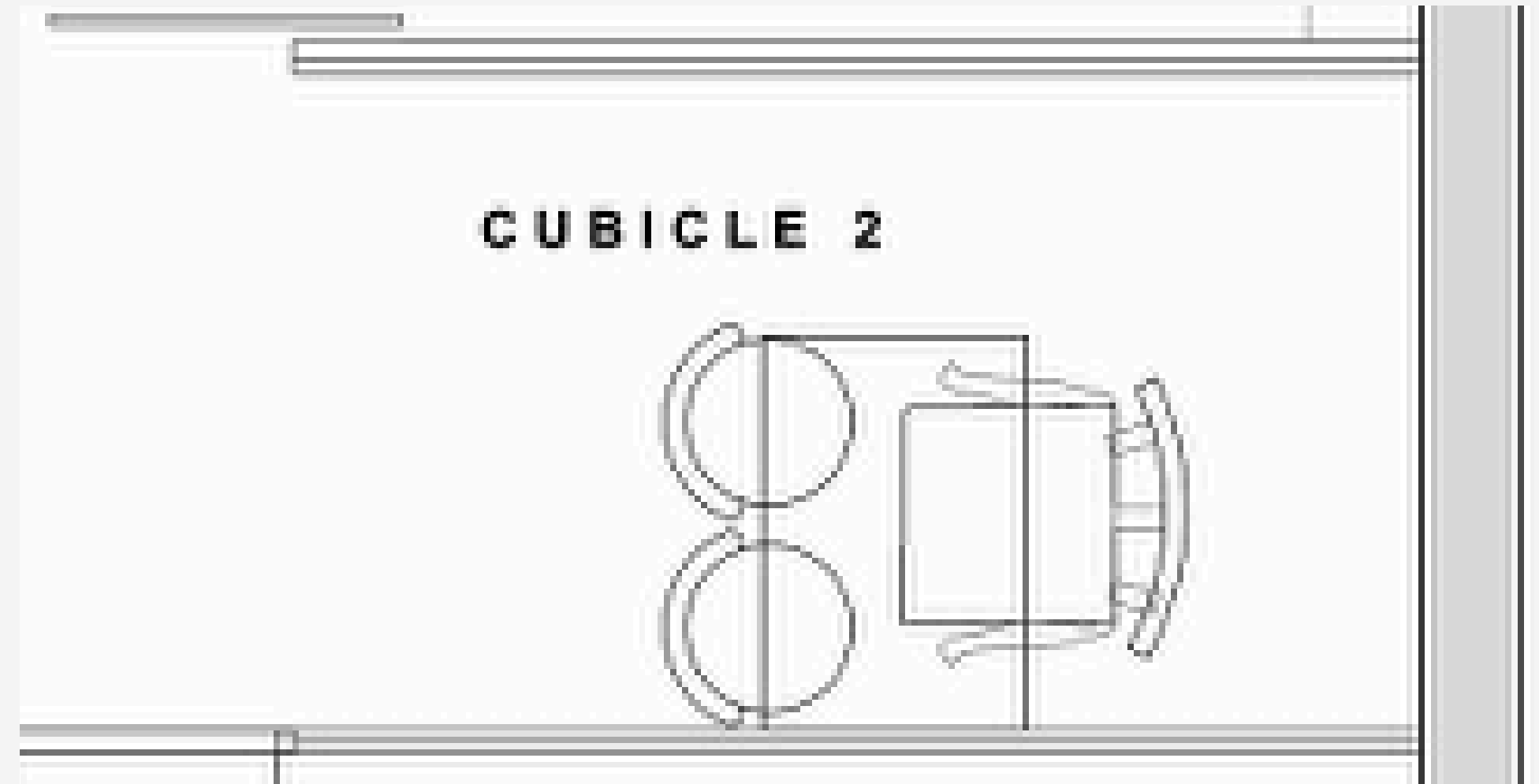


3 D R E N D E R





CUBICLE 2



DESIGN

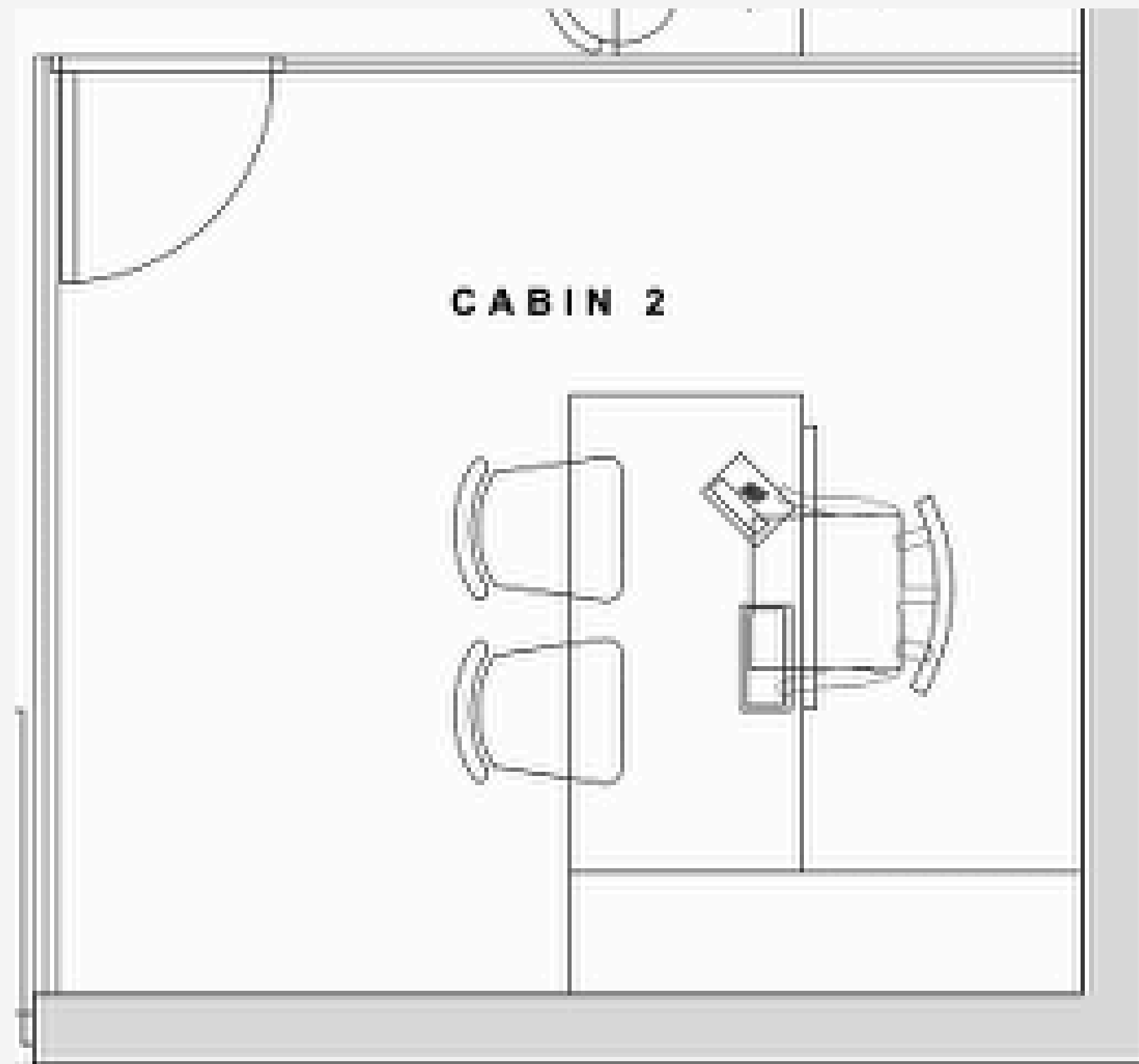
BOARD



3 D R E N D E R

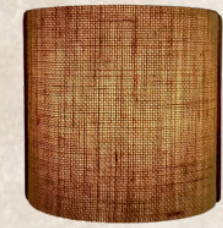


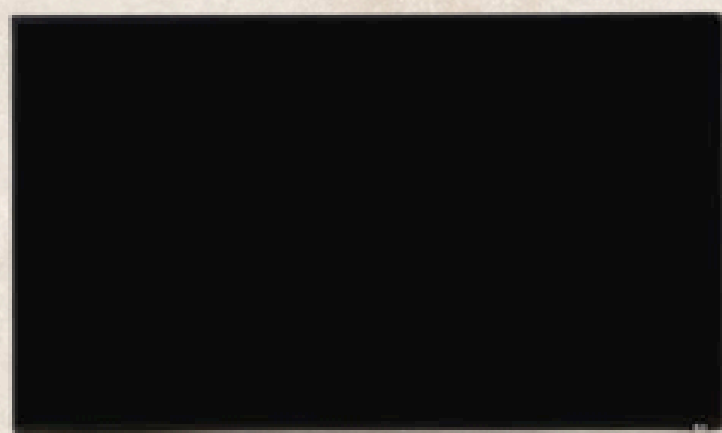
CABIN 2



DESIGN

BOARD





3 D R E N D E R





CONFERENCE



DESIGN

BOARD



3 D R E N D E R



WORKSTATIONS



DESIGN

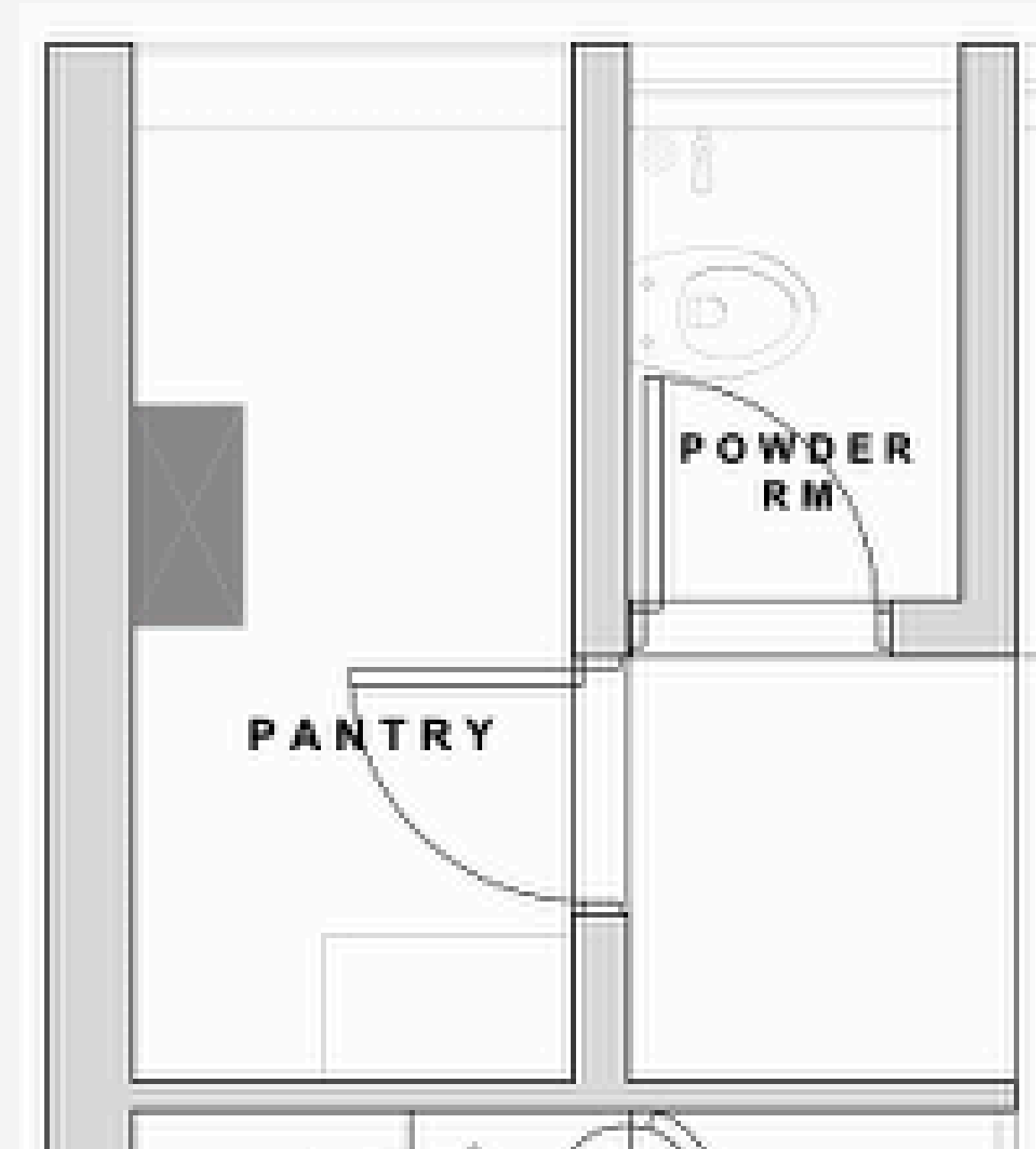
BOARD



3 D R E N D E R



PANTRY
&
POWDER
ROOM



DESIGN

BOARD



